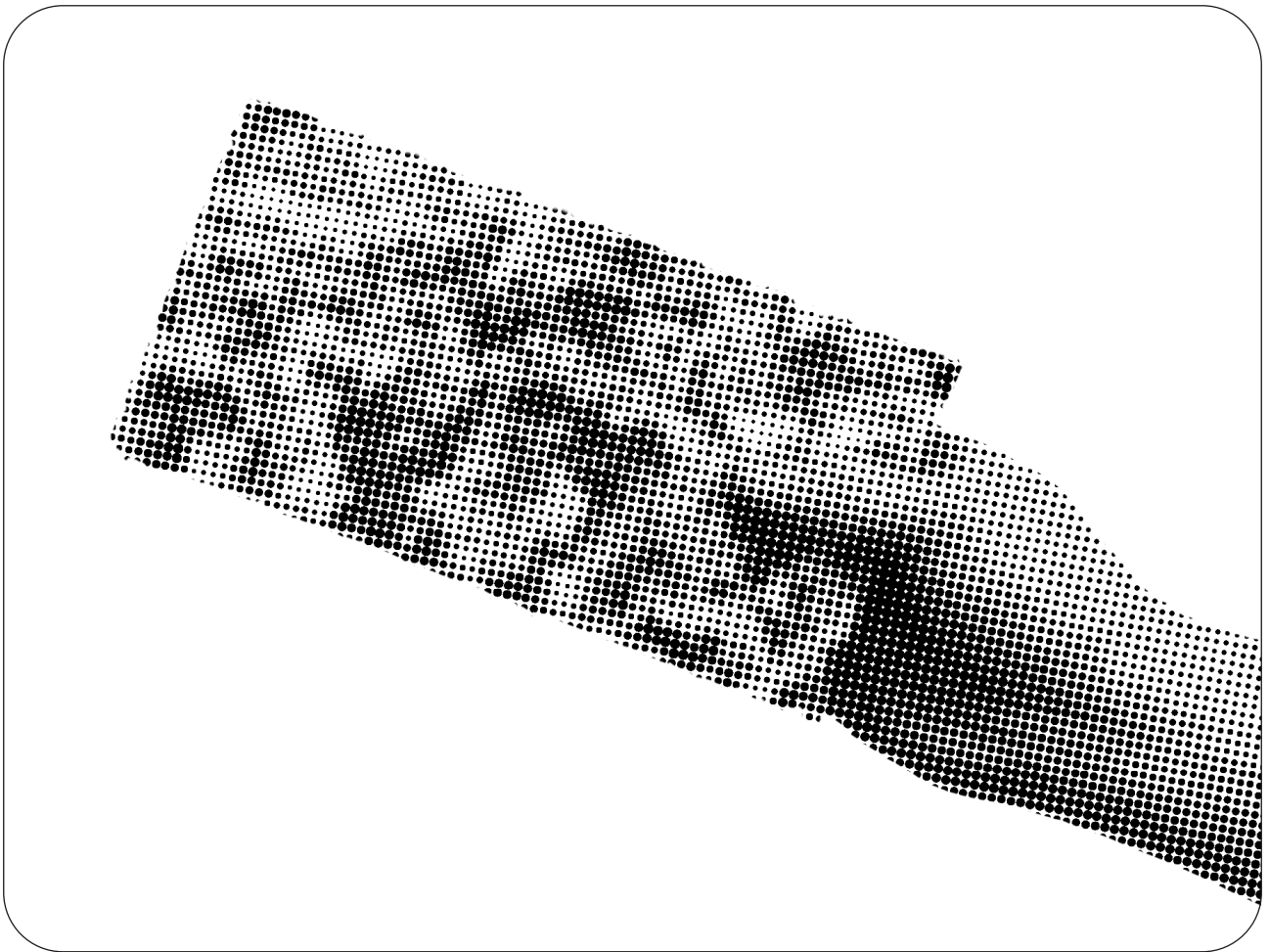


USER GUIDE

FabBRICK® is much more than just a wall covering: it's an exceptional material, born from innovative craftsmanship that transforms textiles into an architectural element that is both aesthetic and sound-absorbing.

Because our material is unique, its installation requires special care. This guide is here to support you, step by step, to reveal the full beauty of your project.



*This installation guide supersedes and replaces all previous versions. Please ensure it is always up to date.
Any use or implementation of the materials that does not comply with the rules outlined in this document releases the manufacturer from all liability, including its joint liability (Article 1792-4 of the French Civil Code).*

February 27, 2025

1. Uses and recommendations

FabBRICK® is designed to enhance your interior spaces with elegance and originality.
Where to use it :



Vertical surfaces: walls and partitions (feel free to unleash your creativity for other projects, as long as their use follows all our recommendations regarding installation, maintenance, and durability.)



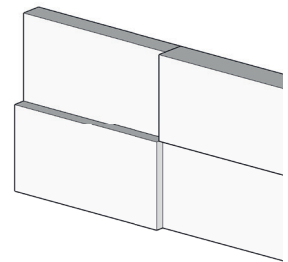
Not suitable for humid environments: bathrooms, kitchens, spas, etc.



Not suitable for horizontal surfaces: floors, countertops, benches, or areas exposed to heavy mechanical stress and/or friction.

FabBRICK® is a living material that interacts with textures and light.

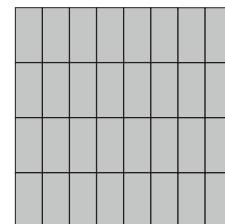
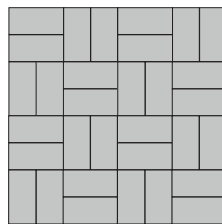
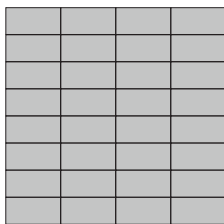
Each brick is unique, and their **thickness** may slightly vary, creating a textured effect. If you prefer a more **uniform result**, we recommend performing a **test layout** on the floor before gluing to even out thicknesses and visualize your composition.



ADVICE : Plan your pattern for a harmonious result!

- Take the time to think about the **layout** and **design** of the wall covering you are about to install.

(You will find specific advice on the **GRADIENT** pattern on page 3.)



LAYOUT IDEAS :

Material required :



Polymer mastic glue

(ex : Rectafix®, Ni clou ni vis®...)
2 tube for 1 m²



Scissors



Spirit level or laser



Cutter



Cutting ruler



Soft brush

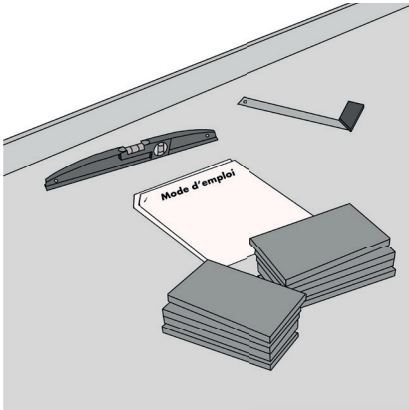
2.a.

Installation & fixings

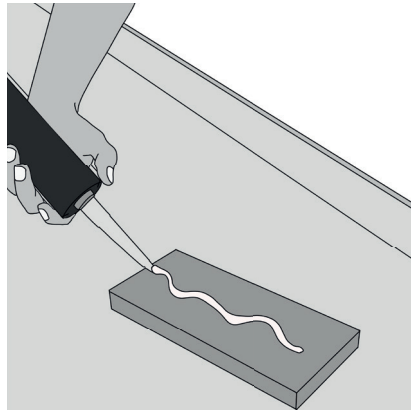


Before you start, this user guide applies to **all colors and patterns**. It is essential to follow the illustrated steps carefully for optimal installation.

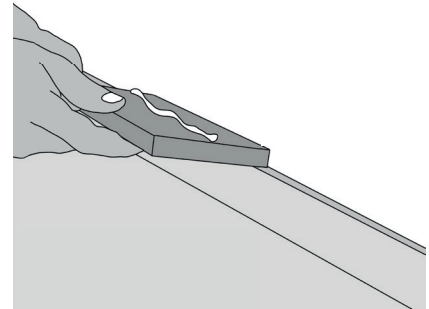
If you have chosen a **GRADIENT** layout, please refer to page 3 beforehand.



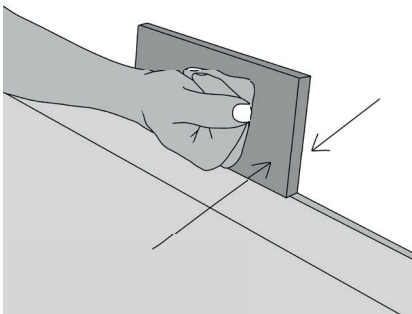
1 - Organize your bricks and select the sides you want to display.



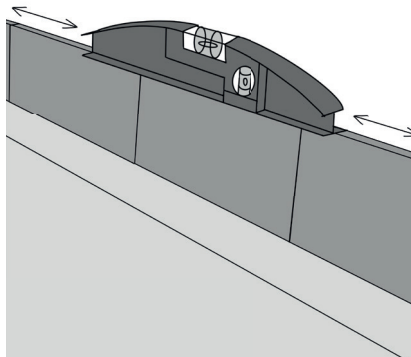
2 - Apply a generous amount of **mastic glue** to the back of the brick.



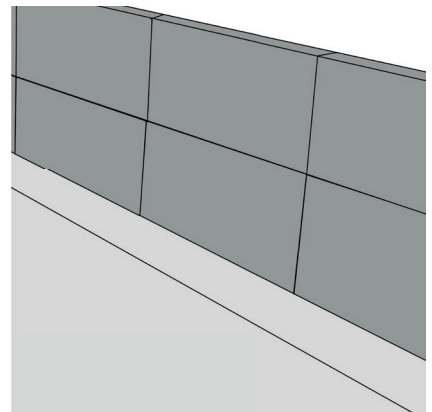
3 - Carefully place the first brick, starting from the **bottom** or a **corner**.



4 - Press firmly to ensure perfect adhesion. **Clean** any glue excess.



5 - Regularly check with a **level** to maintain a balanced installation.



6 - Stack the rows, making sure to keep a **harmonious alignment**.

ADVICES : Step back and let the material guide you !

- Make sure the previous row is stable enough before proceeding with the next one.
- **Step back** and observe your wall from different angles and under various lighting conditions to adjust the final details. You can trim any protruding pieces with scissors.
- Bricks can easily be repositioned, but be careful — the adhesive usually sets in about **30 minutes** depending on the glue used. Allow approximately **24 hours** for complete drying.

2.b.

Gradient instructions

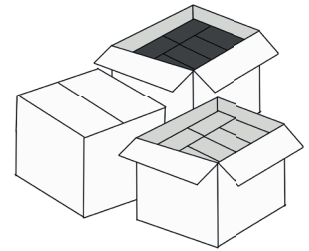


The installation process is the same for all patterns, but for the **GRADIENT**, the result relies on a precise distribution of shades. It is essential to follow these steps carefully to ensure the best outcome.

This design is a subtle and sophisticated variation of our material, where the color gradually fades from the most intense (90%) to the lightest (10%). This effect adds depth and refinement to your space.

When you receive your order, the bricks are carefully packed by shade category:

- 90% (the most intense shade)
- 80%
- 70%
- ... down to 10% (the lightest shade).

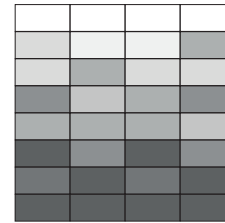
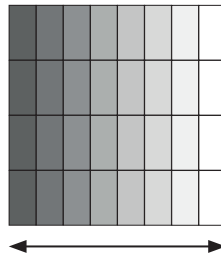
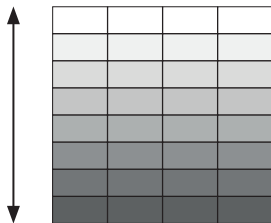


Do not open all the boxes at once.

Do not mix the bricks before properly identifying the shades.

Gradient orientation :

- You can choose our **classic gradient effect**, either horizontal or vertical, for a smooth color transition.
- Feel even more **creative** and let your imagination run free by arranging the gradient bricks in a bolder composition, creating an even more striking visual effect.



Horizontal or Vertical Gradient Effect:

Bricks are arranged horizontally or vertically to create a gradient, transitioning from light to dark—or vice versa.

Original and Creative Effect:

Customize your wall to your liking with a geometric pattern, play of shadows, or an unexpected gradient transition

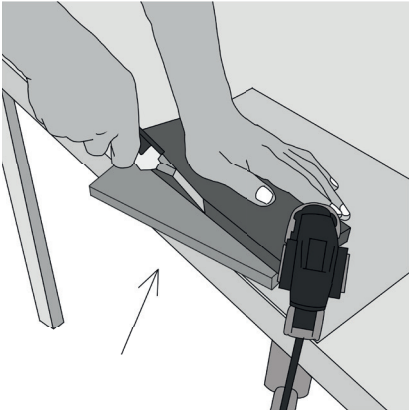
ADVICES : Slide the colors for a smooth and seamless effect!

- Start **from the bottom**, following your chosen orientation.
- Build up **gradually**, one shade at a time
- Ensure a **smooth transition** between shades.
- **Step back** regularly to check the overall effect of the gradient, and feel free to reposition or swap bricks as needed.

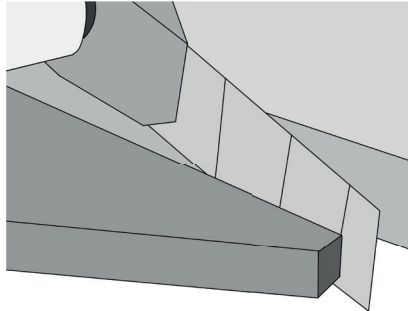
3. Adjustments & finishing



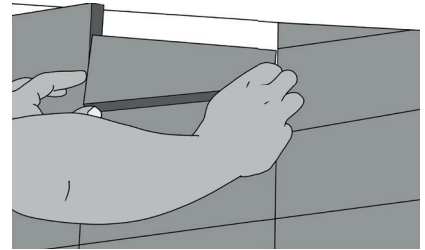
At **FabBRICK** attention to detail is essential! If your project requires adjustments to the bricks, here are the recommended cutting tips:



Mark your cutting line, then use a cutting ruler and position it on the brick.



Using a utility knife, cut the brick in several passes along the ruler. Be sure to **change the blade** regularly.



All that's left is to glue the cut brick in place. Don't hesitate to **step back** and adjust as needed..



VARNISH : If you need to increase rub resistance, we recommend you to apply a wood varnish type (ex : BIOVEST 578 varnish).

FINISHING STRIP : If you need to protect the edges of your wall covering, we recommend you to protect them with a **finishing strip** (metal or wood).

4. Cleaning advice

- The bricks evolve over time, much like wallpaper. To maintain them, it is recommended to gently brush or vacuum them every 3 to 5 months to remove dust and preserve their appearance.

These simple steps will help your bricks retain their beauty and durability over time.

CONCLUSION: A wall masterpiece with an unmistakable character!

Congratulations, you have just incorporated an exceptional material into your space with a real environmental impact. FabBRICK® is a living material that interacts with light and blends into your world.

Share your creation by tagging @fab.brick and inspire our community!

Need advice? Our team is here to guide you.



FAQ



If you have any questions about our cladding bricks, we've got the answers!

- ***Fixing Objects to a FabBRICK® Surface***

Yes, it is absolutely possible to fix items onto your FabBRICK® brick surface. To ensure a secure hold, simply ensure that the screws pass through the bricks and anchor into the wall structure behind them.

- ***How to Maintain the Bricks?***

FabBRICK® bricks require minimal maintenance. A gentle brushing is enough to maintain their aesthetic appearance. Avoid harsh chemical cleaners or excessive water, as they could damage the brick surface.

- ***Can I Install the Bricks Myself?***

Yes, installing FabBRICK® bricks is designed to be simple. Follow the installation instructions and use the appropriate tools to ensure a secure fix. For optimal results, we recommend a dry run on the floor before fixing the bricks to the wall.

- ***Are FabBRICK® Bricks Eco-Friendly?***

Yes, 100%! The main raw material comes from textile waste, an immense resource generated each year in France. We provide a concrete solution to this problem by revaluing these textiles and giving them a new life. The binder used in our bricks is bio-based, ensuring a reduced environmental footprint. Additionally, our mechanical know-how is inspired by low-tech methods, minimizing our electricity consumption.

- ***What is the Size of the Bricks?***

FabBRICK® bricks typically measure 19.7 cm by 9.8 cm, with a thickness of about 2 cm. As all our bricks are handmade and their composition (cotton, polyester, viscose, etc.) may vary, their dimensions may slightly differ from one brick to another.

- ***What About Pest?***

We are often asked if rodents, moths, or other pests can damage the bricks. So far, there have been no issues! Thanks to the binder and textile fixation, the structure of the bricks does not pose any risk of pest proliferation.

